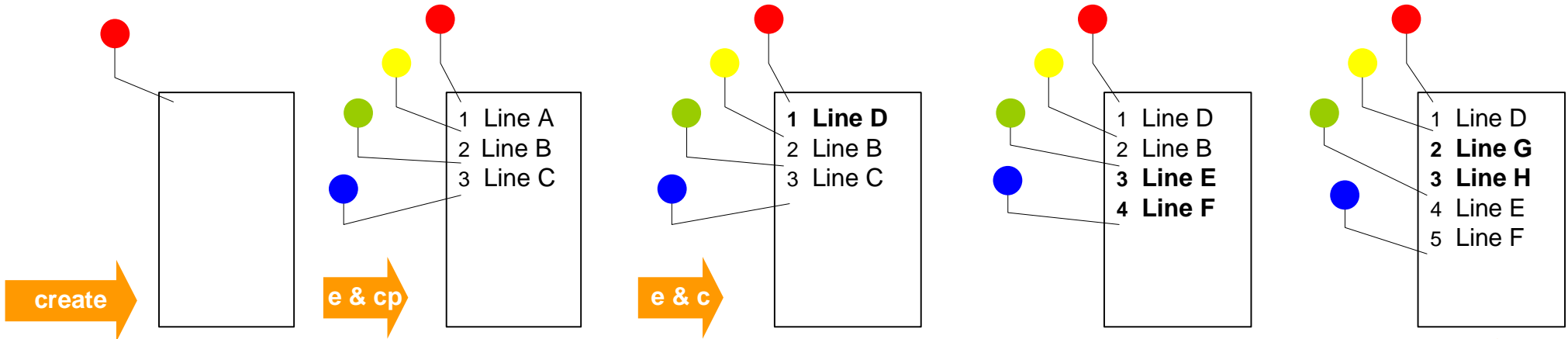
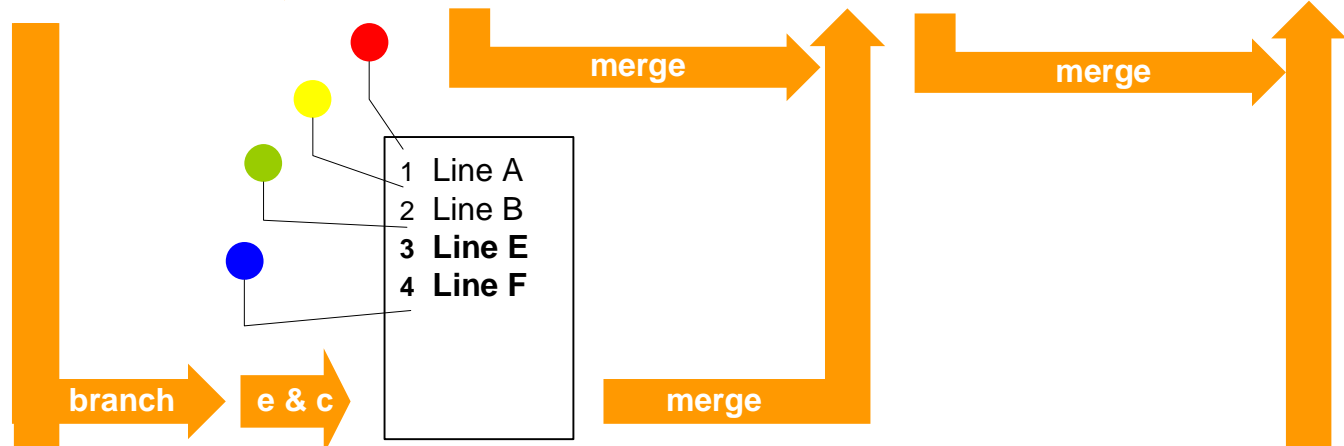


Pin-based Branching & Merging - Ex 1

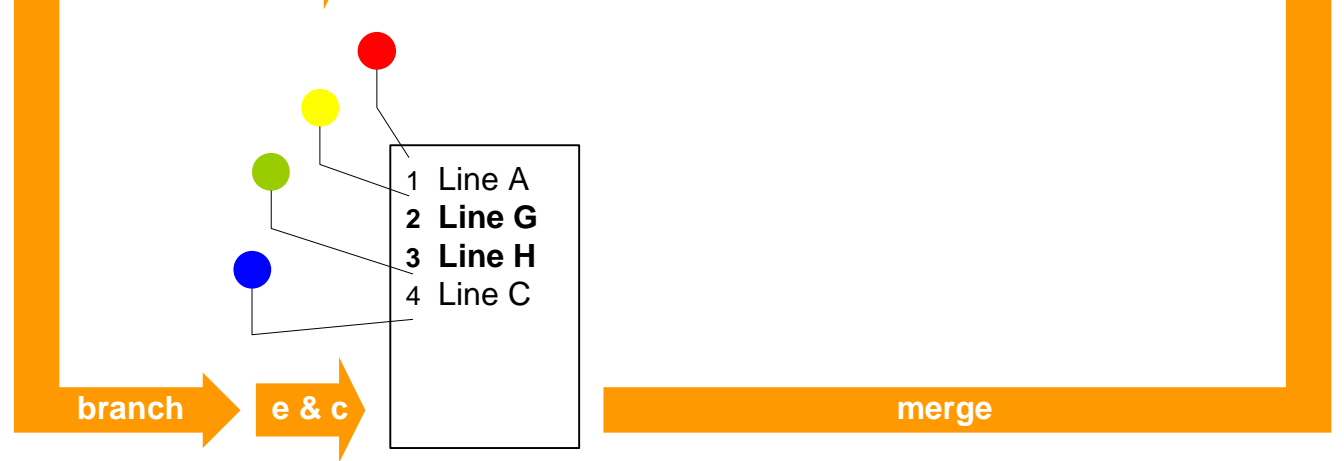
Repository I: →



Repository II: →



Repository III: →



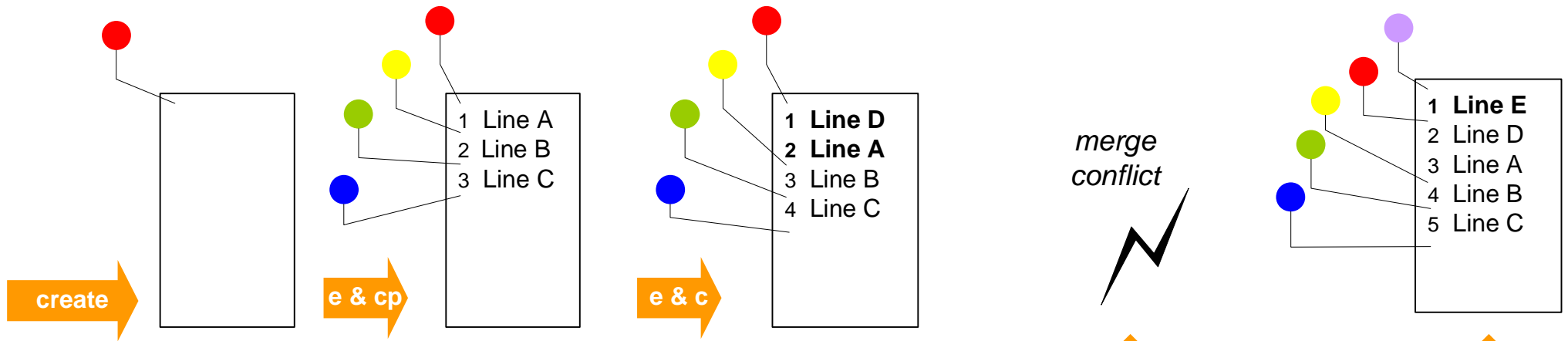
Legend

„e & cp“ = edit & commit with line pins

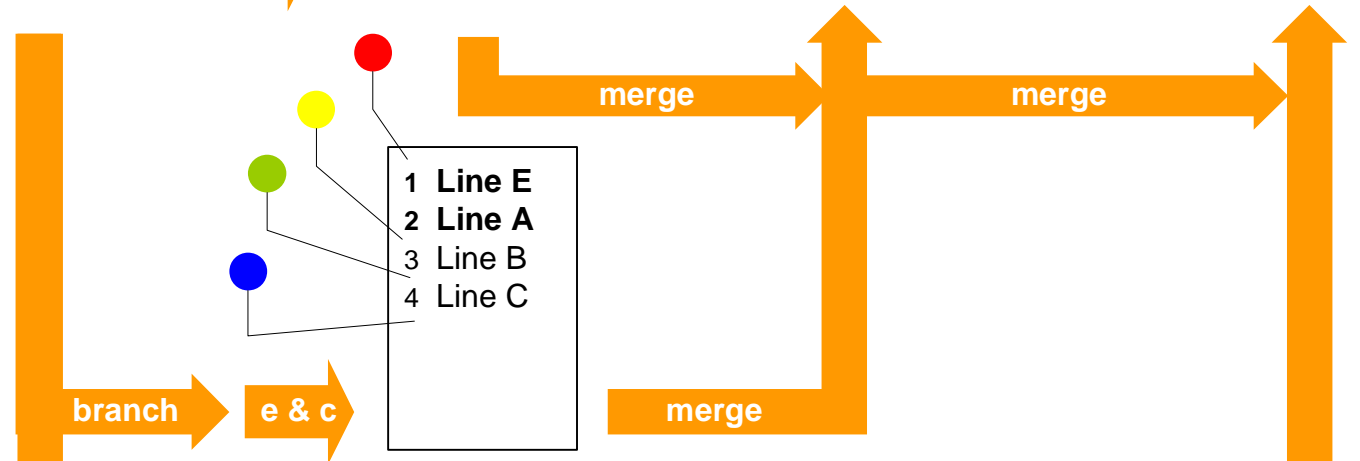
„e & c“ = edit & commit

Pin-based Branching & Merging - Ex 2

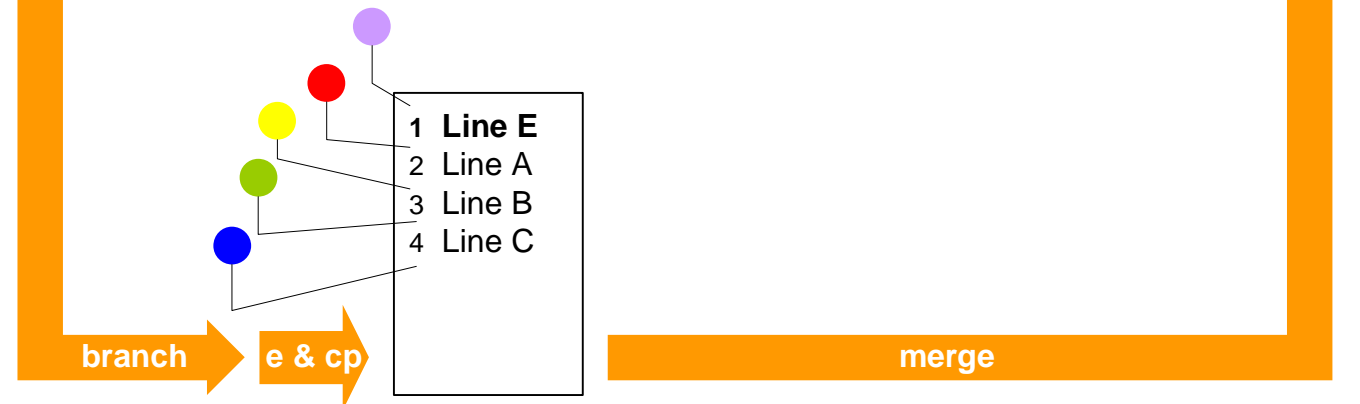
Repository I: →



Repository II: →



Repository III: →



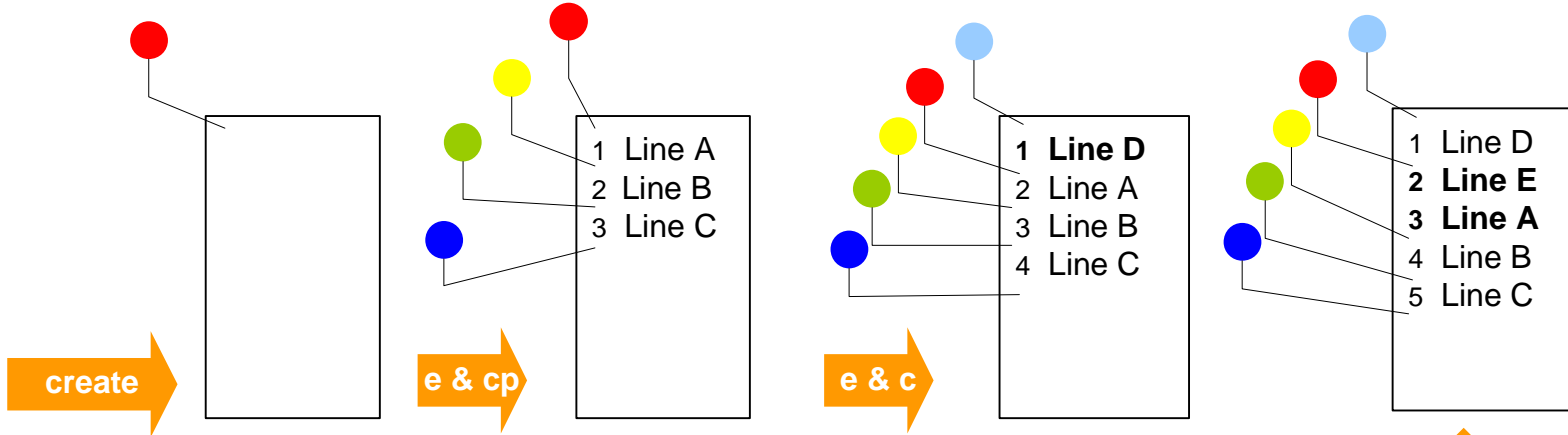
Legend

„e & cp“ = edit & commit with line pins

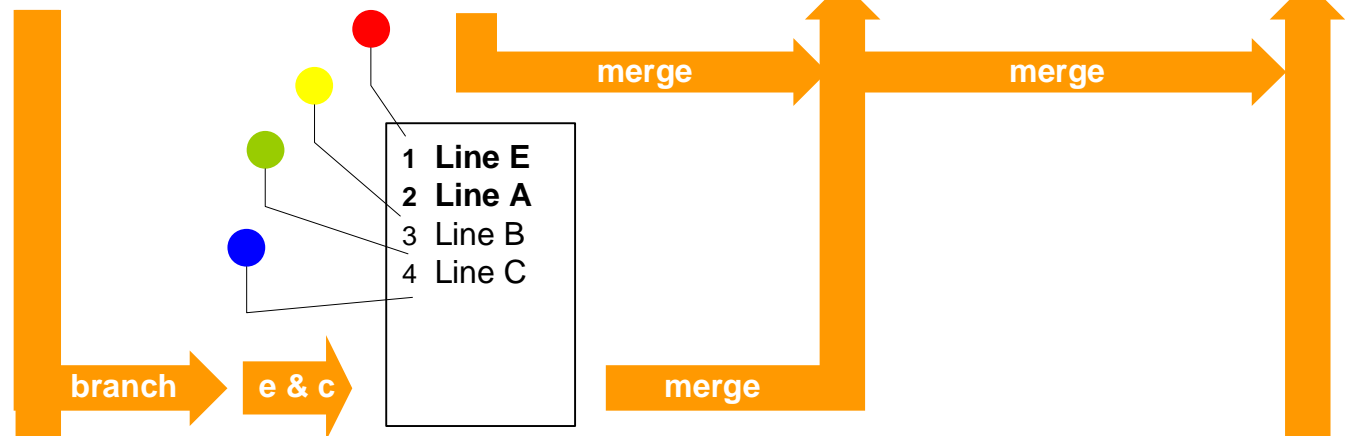
„e & c“ = edit & commit

Pin-based Branching & Merging - Ex 3

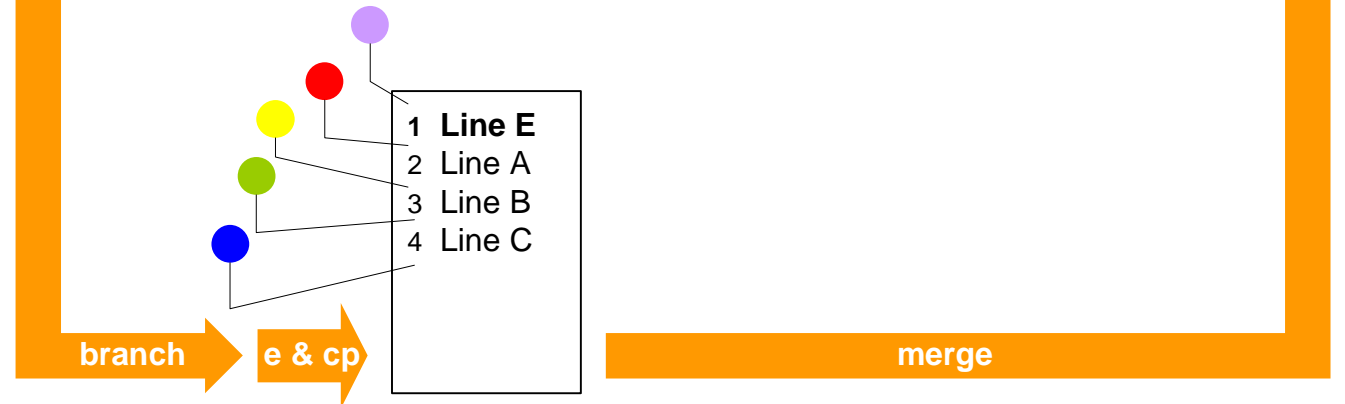
Repository I: →



Repository II: →



Repository III: →



merge conflict



Legend

- „e & cp“ = edit & commit with line pins
- „e & c“ = edit & commit